



# GLASSLIFT 500 Mobile Glass Handler



GLOBAL LIFT GROUP



The most intelligent remote controlled robotic multilifter in the industry, with 3D manipulation, sensor surveillance and remote repair diagnostics.

## UNIQUE HANDLING, SAFETY AND SERVICE FEATURES:



### 3D Manipulation

The strong, and extremely precise head, on which the front system is mounted, allows the front system to rotate and tilt elements in all directions.



### Millimeter Precision

With the GlassLift 500, building materials are handled with precision to the millimeter thanks to the full pressure hydraulic system with radio remote control allowing optimum visibility and safest proximity for the operator.



### 2 x 200% Overcapacity

A two-circuit vacuum system ensures that the suction discs always have 2 x 200% overcapacity. A visual and an acoustic alarm ensure that the machine is not operated until the system has reached optimum suction power.



### Sensor Surveillance

The position of the machine and the load is constantly monitored by the on-board Sensor Surveillance System, to ensure full use of the load envelope and maximum safety.



### Unique Adaptability

Optional cups are available for porous materials like wood or drywall, as well as for rough surfaces like granite.



### Remote Service

The GlassLift 500 can go online and be serviced remotely; enabling speedy diagnostics, remote programming and tailored repairs. The on-board computer supervises all systems and reports any damage.



**Global Lift Group**  
www.globalliftgroup.com  
sales@globalliftgroup.com

**North American Head Office**  
Delaware, ON Canada N0L 1E0  
Phone: 1.855.779.3371

**European Head Office**  
DK - 9640 Farsoe Denmark  
Phone: 45 75727215



# Technical Specifications

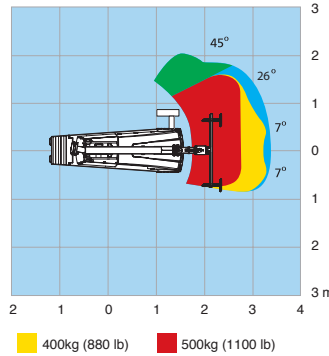
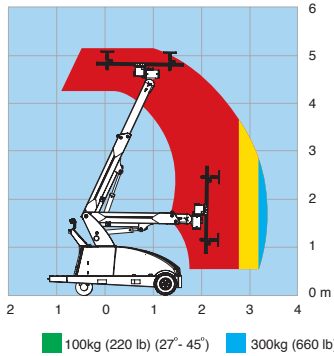
Description	Value	
Loading capacity	500 kg, 1100 lb	
Own weight	1410 kg, 3102 lb	
Machine min. width	890 mm, 35 in	
Machine max. width	1750 mm, 68 in	
Machine min. length	3500 mm, 138 in	
Machine min. height	1900 mm, 75 in	
Autonomy	8 hours	
Front wheels	Solid rubber	
Rear wheels	Hard composite	
Charging current	220 or 110 V	
Battery specs.	12 x 2 V (24 v)	
Charging time	10-100% 8 hours	
Charging time	25-70% 1 hour	

## Unique Adaptability

### Range



Can lift objects from floor level up 5m (197 in) in all directions That enables fitting on the first floor level from the ground.

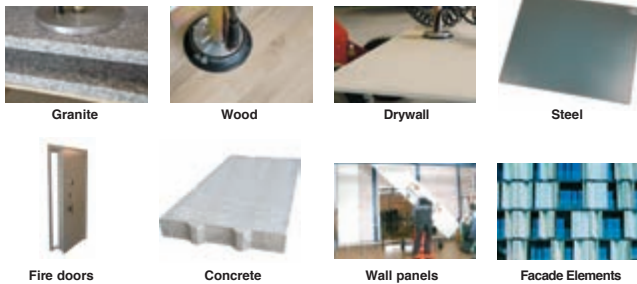


### Stability



The front wheels are mounted on sturdy, stable, square axles that can slide to the sides. This gives the GlassLift 500 truly unique stability.

### Materials



### Narrow passages

With both of the front wheels at the inner most position, the machine is able to drive through a passage or doorway of merely 89 cm (35 in).



## Standards

Our machines comply with the requirements of Machinery Directive 2006/42/EC, and are ASME B30.5, 5-1.1, 5-1.10 Compliant, ASME B30.20 Compliant, SAE-J1063 Compliant, and SAE-J765 Compliant. Other standards met include EN ISO 14121-1, EN ISO 12100-1, EN ISO 12100-2, EN 13155, EN 982. Our manufacturing facility is ISO9001 certified.



**Global Lift Group**  
www.globalliftgroup.com  
sales@globalliftgroup.com

**North American Head Office**  
Delaware, ON Canada N0L 1E0  
Phone: 1.855.779.3371

**European Head Office**  
DK - 9640 Farsøe Denmark  
Phone: 45 75727215

